

Models



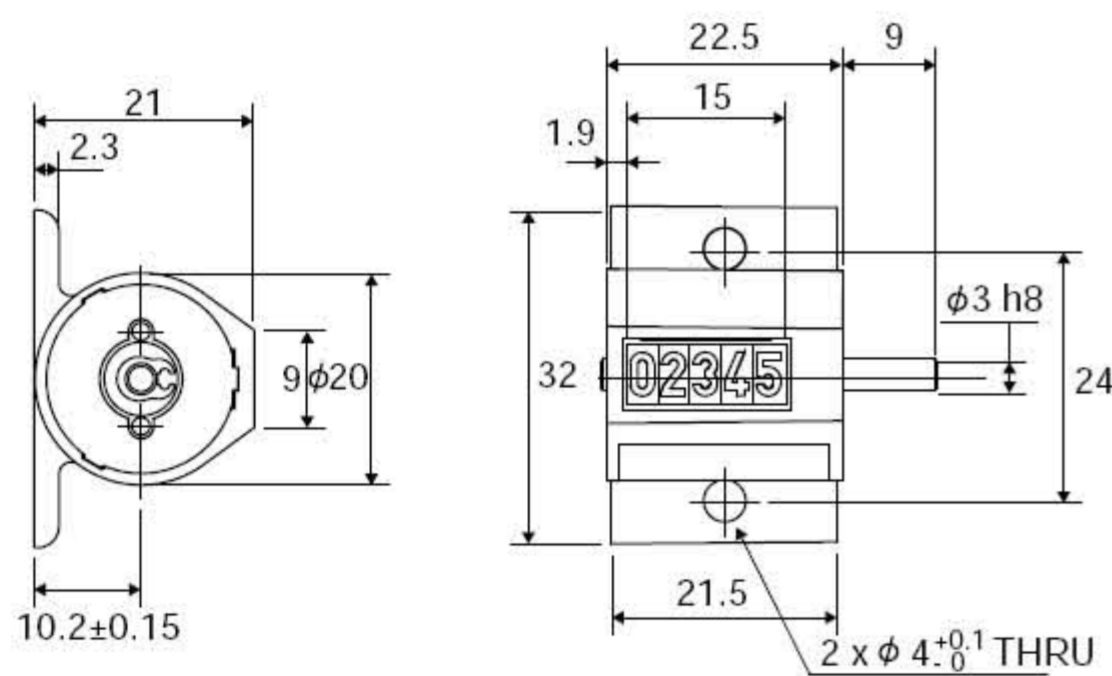
Count Type	Type (I)	Type (II)	Type (III)	Type (IV)
Revolution	KZ-105 (I)	KZ-105 (II)	KZ-105 (III)	KZ-105 (IV)
Direct Drive	KZ-205 (I)	KZ-205 (II)	KZ-205 (III)	KZ-205 (IV)
Ratchet	KZ-305 (I)	KZ-305 (II)	KZ-305 (III)	KZ-305 (IV)
Rotating Shaft	I	II	III	IV
	Right Top-Going	Right Top-Coming	Left Top-Going	Left Top-Coming

Specifications

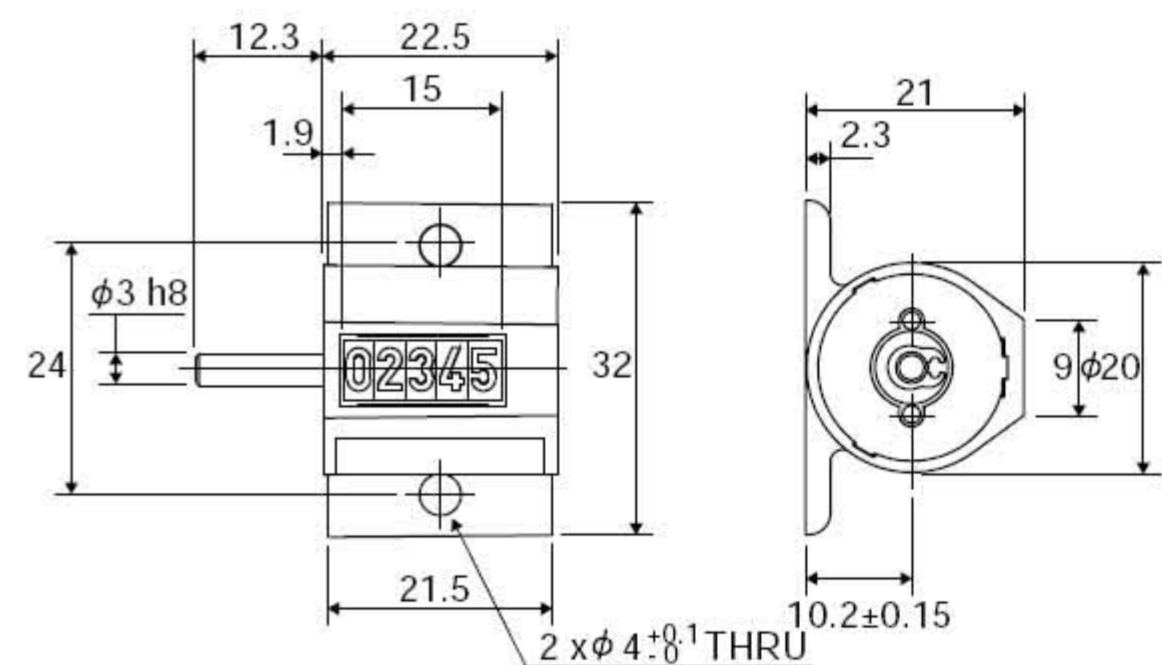
Count Method	Revolution (KZ-105) : Adds 1 count for every complete revolution of the shaft Direct Drive (KZ-205) : Adds 10 counts for every complete revolution (1 count / 1/10 shaft revolution) of the shaft Ratchet (KZ-305) : Adds 1 count for each 40 - 45° actuation of lever
No. of Digits	5 digits
Digit Size (H)	4.2 mm
Maximum Count Speed	KZ-105 : 1000 rotation/minute   KZ-205 : 100 rotation/minute   KZ-305 : 500 counts/minute
Count Range	0 to 99999
Reset	None
Weight	Approx. 10 to 14 g
Ambient Temp. : Operating	-5 to +40 °C (Should not be frozen)
Ambient Humid. : Operating	35 - 85 %RH max. (Non-condensing)
Compliance	RoHS

Dimensions in mm

KZ-105 (I) / KZ-105 (II)  
KZ-205 (I) / KZ-205 (II)  
KZ-305 (I) / KZ-305 (II)



KZ-105 (III) / KZ-105 (IV)  
KZ-205 (III) / KZ-205 (IV)  
KZ-305 (III) / KZ-305 (IV)



Lever Included in KZ-305

